

**SONY®**

# ***Connection Manual to Job Ticket Printer***

---

This manual explains the steps involved in printing job tickets when a commercially available Thermal Receipt Printer is connected to the UP-CR10L.

*SnapLab*

**UP-CR10L**

---

# Table of Contents

<b>Outline .....</b>	<b>3</b>
Sample Job Ticket .....	3
<b>Setup .....</b>	<b>4</b>
Connecting the Printer .....	4
Setting Up the Thermal Receipt Printer .....	4
Preparing Image Data .....	4
Setting Up the Unit .....	5
<b>Printing Job Tickets .....</b>	<b>5</b>
When the Image Does Not Print .....	5

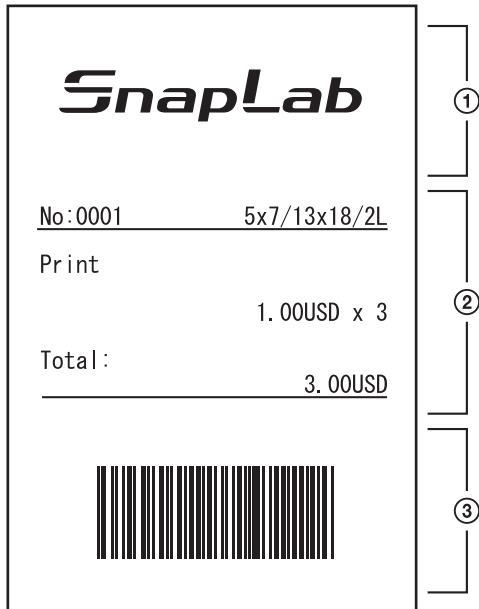
# Outline

You can print job tickets that include the order contents of the UP-CR10L. To print the job tickets, you will need a commercially available Epson TM-T88 III Series Thermal Receipt Printer with an RS-232C interface.

Epson is a trademark of Seiko Epson Corporation.

## Sample Job Ticket

You can print job tickets similar to the following example.



### ① Upper image area

The same image is printed in this area for each order. This area is suitable for printing store logos. When printing images in this area, be sure to insert the expansion CompactFlash card containing the image data in the specified format into the UP-CR10L.

### ② Price display area

The contents of an order are printed in this area. The printed contents include the order number, print size, print type, price per print, print quantity, and total price. The prices printed are based on those set on the UP-CR10L.

### ③ Lower image area

Depending on the print sizes and print types of an order, you can change the image to be printed in this area. By printing a barcode here, you can differentiate each of the print contents. When printing images in this area, be sure to insert the expansion CompactFlash card containing the image data in the specified format into the UP-CR10L.

#### Memo

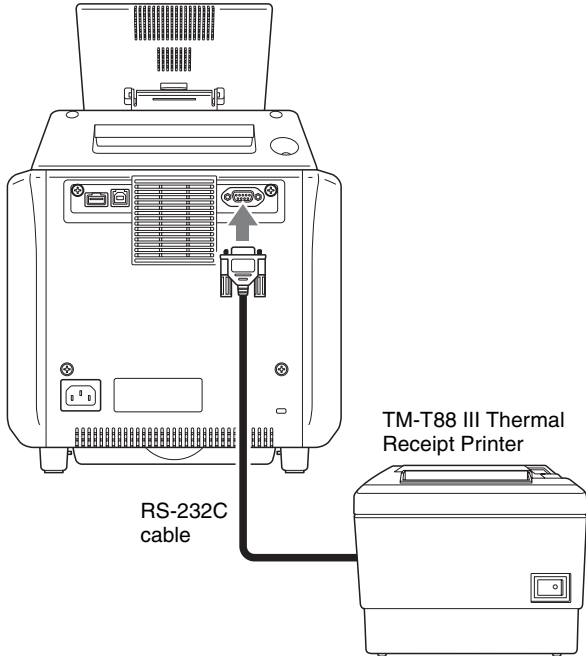
When an expansion CompactFlash card is not inserted into the unit, only the price display area, ②, is printed.

CompactFlash is a trademark of SanDisk Corporation, registered in the United States and other countries.

# Setup

## Connecting the Printer

Connect the Thermal Receipt Printer to the UP-CR10L's RS-232C connector with an RS-232C cable.



Cable to use: RS-232C cross (reverse) cable  
(9-pin D-sub female - 25-pin D-sub male)

## Setting Up the Thermal Receipt Printer

Set the DIP switch on the Thermal Receipt Printer according to the following chart. For details on how to set the DIP switch, refer to the operating instructions for the Thermal Receipt Printer.

Baud rate	38,400 bps
Handshake	XON/XOFF protocol
Data length	8 bits
Parity check	None

Recommended DIP switch settings:

### SW1

1-1	OFF
1-2	OFF
1-3	ON
1-4	OFF
1-5	OFF
1-6	OFF
1-7	ON
1-8	ON

### SW2

2-1	OFF
2-2	OFF
2-3	OFF
2-4	OFF
2-5	OFF
2-6	OFF
2-7	OFF
2-8	OFF

## Preparing Image Data

Perform the following steps to prepare image data.

- 1 Create the image data on your computer.
- 2 Copy the image data onto an expansion CompactFlash card.

The following gives detailed information on the above steps.

## Creating Image Data on Your Computer

Create the image data according to the following specifications.

### Specifications for job ticket images

Image size: 360(H) x 2 to 360(V) pixels

Format: 24-bit Windows BMP

File storage location: \Sony\UPCR\Ticket

Data file name for upper image: Logo.bmp

Data file name for lower image:

Determine the file name based on the print size and type, and use the following file names.

	3x5"	4x6"	5x7"
<b>Print</b>	P_3x5.bmp	P_4x6.bmp	P_5x7.bmp
<b>Index print</b>	I_3x5.bmp	I_4x6.bmp	I_5x7.bmp
<b>Split image</b>	S_3x5.bmp	S_4x6.bmp	S_5x7.bmp
<b>Border print</b>	B_3x5.bmp	B_4x6.bmp	B_5x7.bmp

The Thermal Receipt Printer prints in two-tone black and white.

The UP-CR10L does not process color with an artificial multi-tone method such as error diffusion, but performs two-tone processing on the green channel at a threshold of 128. To print high quality images, we recommend to create a two-tone black and white image with artificial multi-tone processing using image processing software in advance and to save that image as a 24-bit Windows BMP file.

## Memo

When you want to display text in the upper or lower image area, create the text as a bitmap image.

## Copying Image Data Onto Expansion CompactFlash Cards

Copy the prepared image data onto the UP-CR10L's expansion CompactFlash card.

- 1 Insert an expansion CompactFlash card into the computer.
- 2 Create the folder “\Sony\UPCR\Ticket” on the expansion CompactFlash card, and save the prepared image data in that folder.

For details on preparing an expansion card, refer to “Preparing an Expansion CompactFlash Card” in the Operating Instructions for the UP-CR10L.

If your computer is not equipped to handle CompactFlash cards, you can copy the image data onto another memory card format, and then use the UP-CR10L to copy that data onto a CompactFlash card. For details on how to copy, refer to “Template Tab” in the Operating Instructions for the UP-CR10L. The image to be printed on the job ticket is simultaneously copied when the template is copied.

Sample images for use on job tickets are included on the CD-ROM supplied with the UP-CR10L. You can use these images by copying the data onto a CompactFlash card.

---

## Setting Up the Unit

To enable job ticket printing, one of the following settings on the UP-CR10L must be configured. For details on configuring each setting, refer to “Setup” in the Operating Instructions for the UP-CR10L.

- Order Numbering (Print Tab)
- Price Indication ON (Pricing Tab)

## Memo

When the pricing setting is not configured, 0 (zero) is printed for prices and totals.

When the currency setting is not configured, only the numeric values are printed.

---

# Printing Job Tickets

The job ticket is printed when the following operations are performed.

## In Event Mode

When the [Print] button is pressed in the image selection screen

## In Quick Print and Full Mode

When the [Print Start] button is pressed in the order confirmation screen

## Notes

- Do not disconnect the RS-232C cable while a job ticket is printing.
- If the Thermal Receipt Printer stops in the middle of a printing, restart the printer.

---

## When the Image Is Not Printed on the Job Ticket

**Job tickets are printed without any images though the expansion CompactFlash card has the image data.**

- Make sure that the image data is in 24-bit Windows BMP format.
- Make sure that the image data file is stored in the “\Sony\UPCR\Ticket” folder.